

Electric Ship Power and Energy System Architectures

Dr. Norbert Doerry

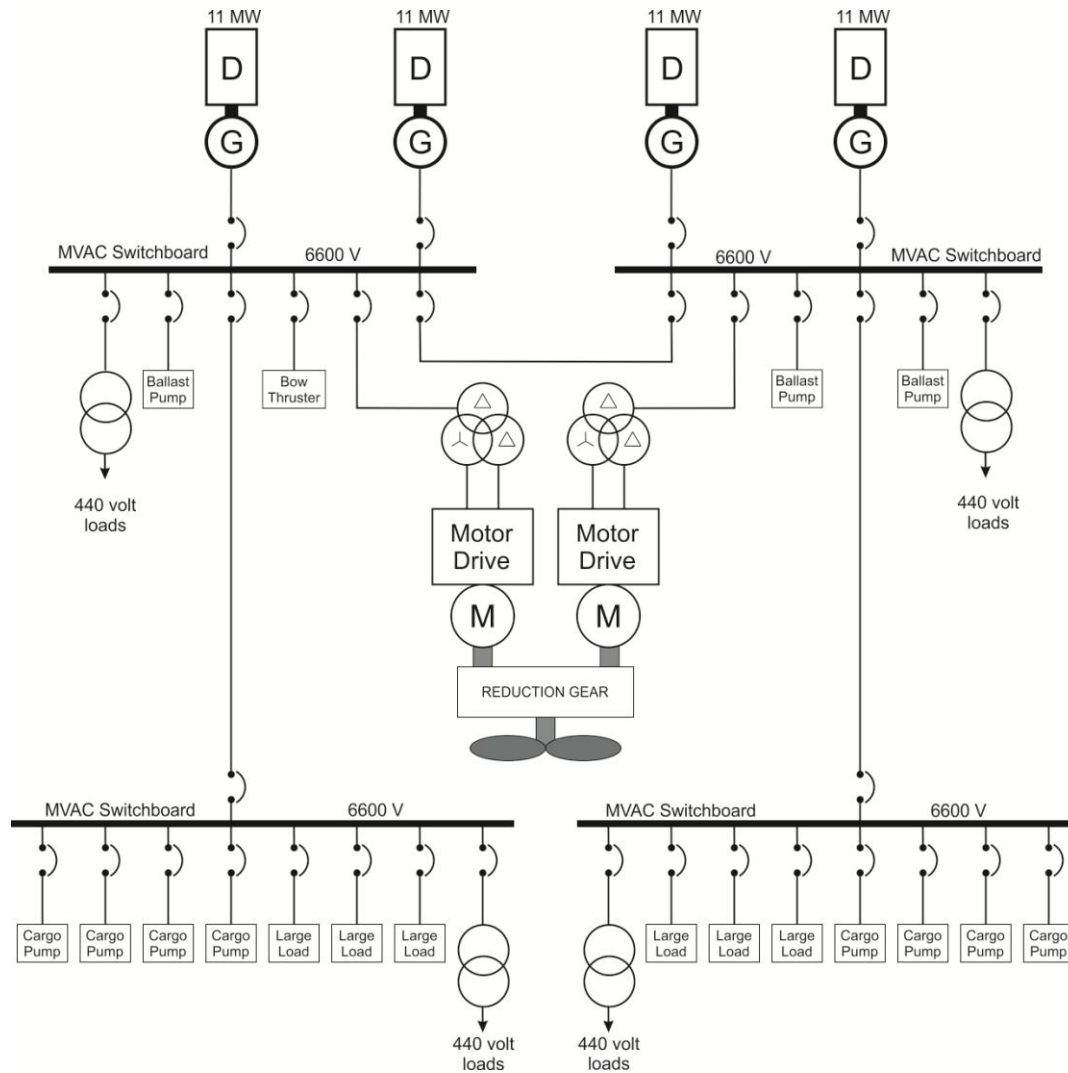
Dr. John Amy Jr.

IEEE ESTS 2017

August

Existing Ships

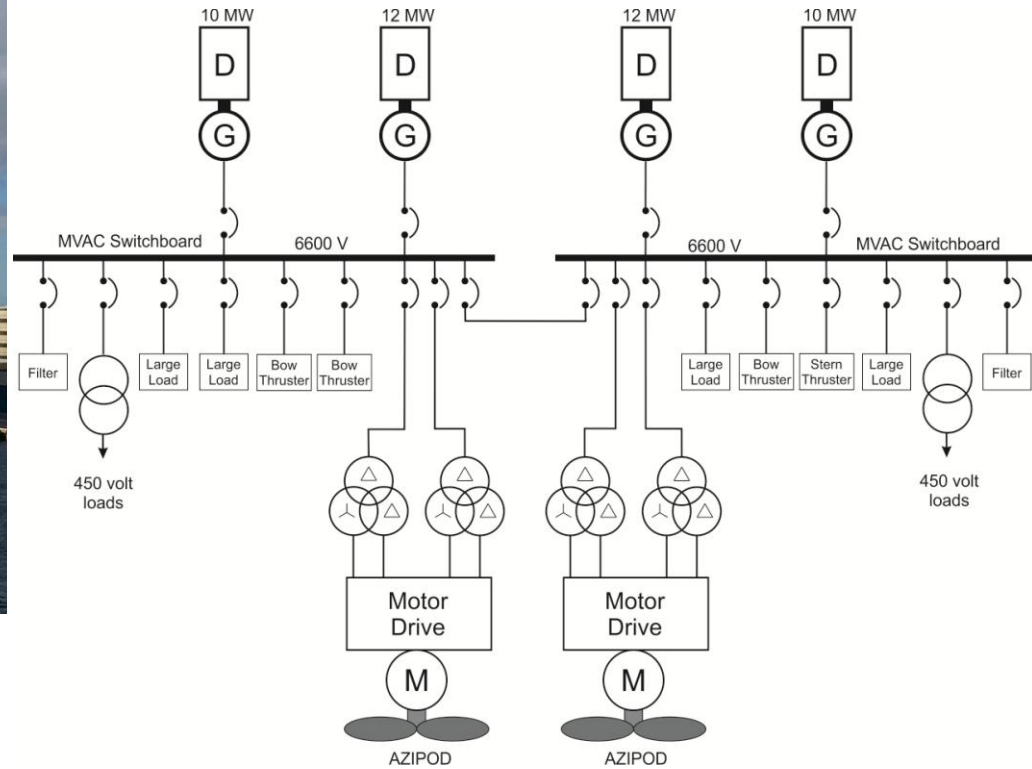
Liquefied Natural Gas (LNG) Carrier



Cruise Ship



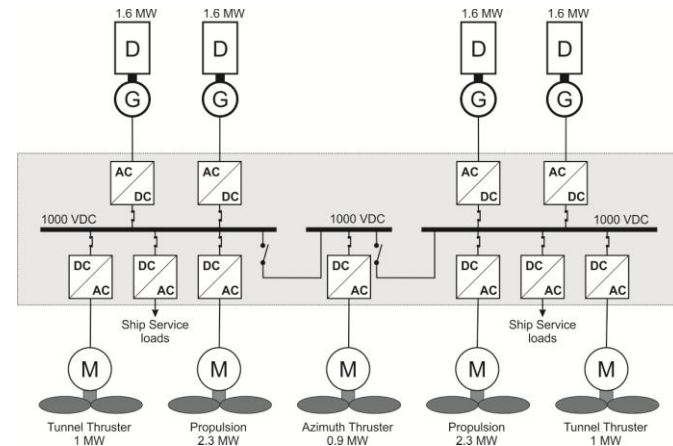
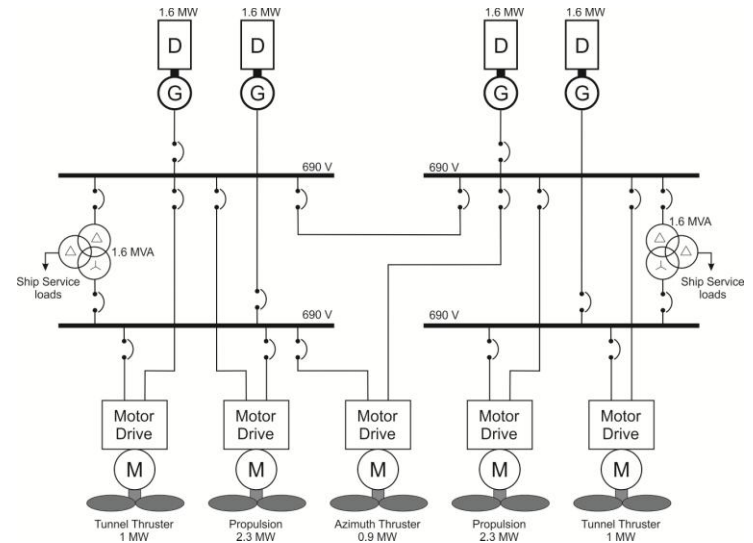
Regal Princess (Photo by Norbert Doerry)



Platform Supply Vessel



Siem Symphony
 (photo by DXR: <https://creativecommons.org/licenses/by-sa/4.0/>)

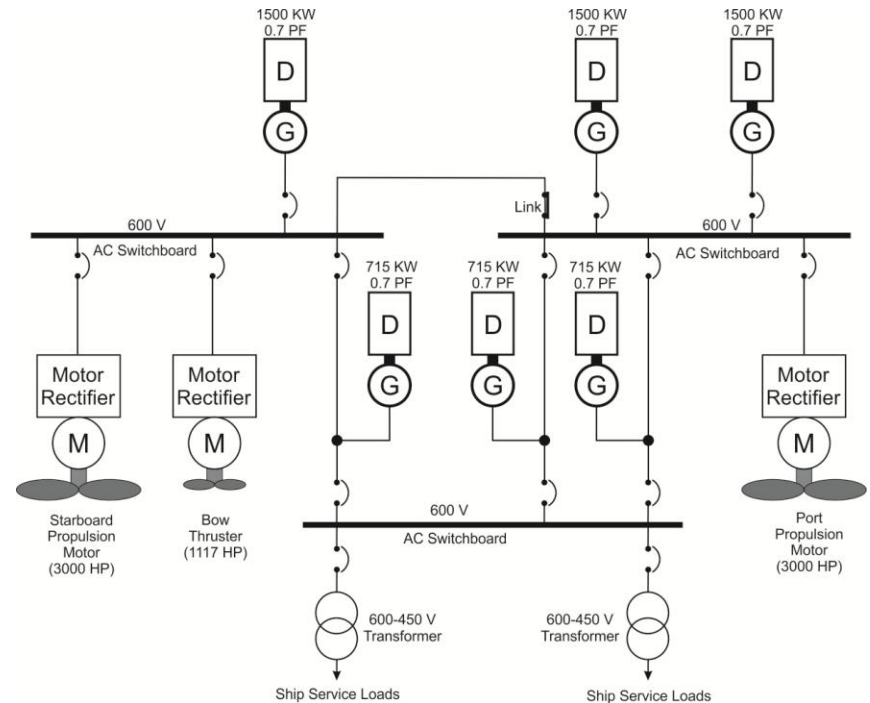


T-AGOR 23

Thomas G. Thompson



Photo by Doug Russell, University of Washington

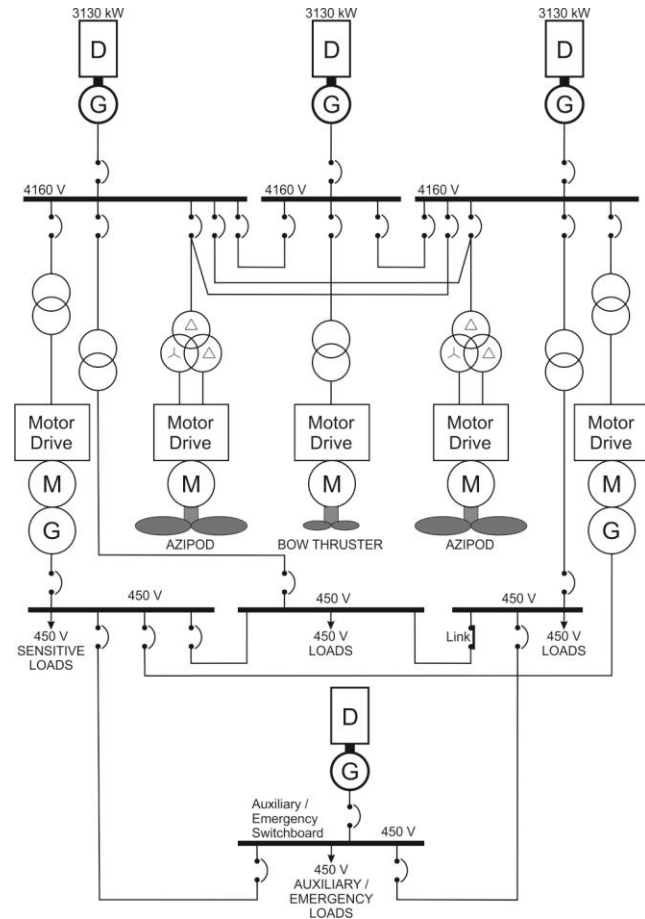


WLBB 30

USCGC Mackinaw



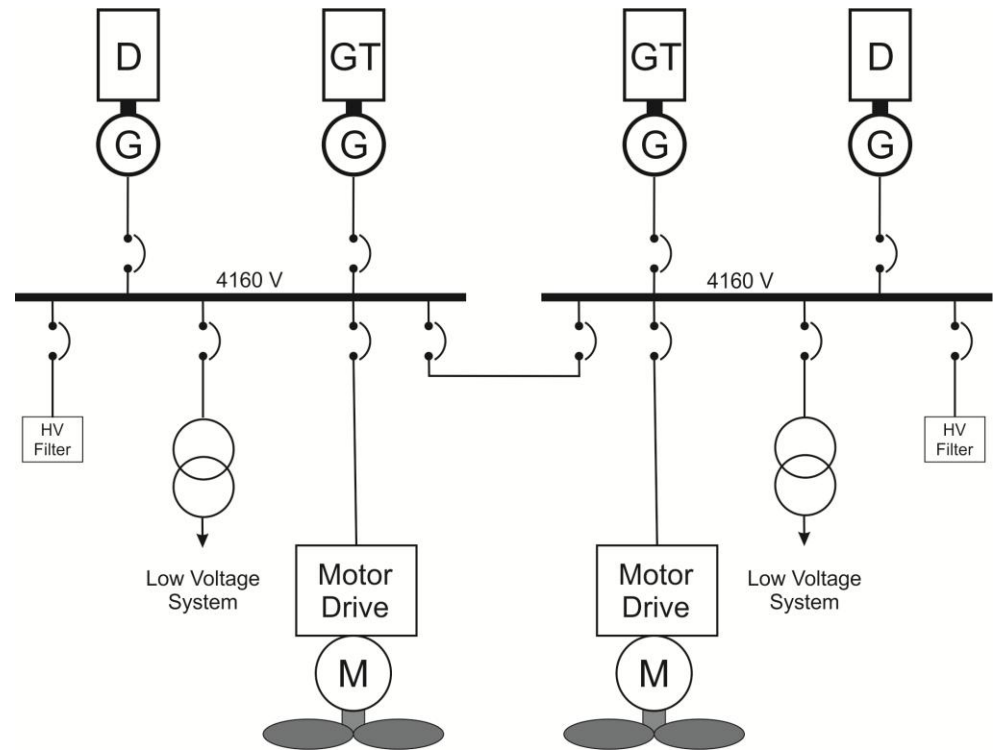
USCGC Mackinaw (WLBB 30)
(US Coast Guard Photo by PA3 George Degener)



HMS Daring



HMS Daring (CC-BY-SA-3.0/Brian Burnell)

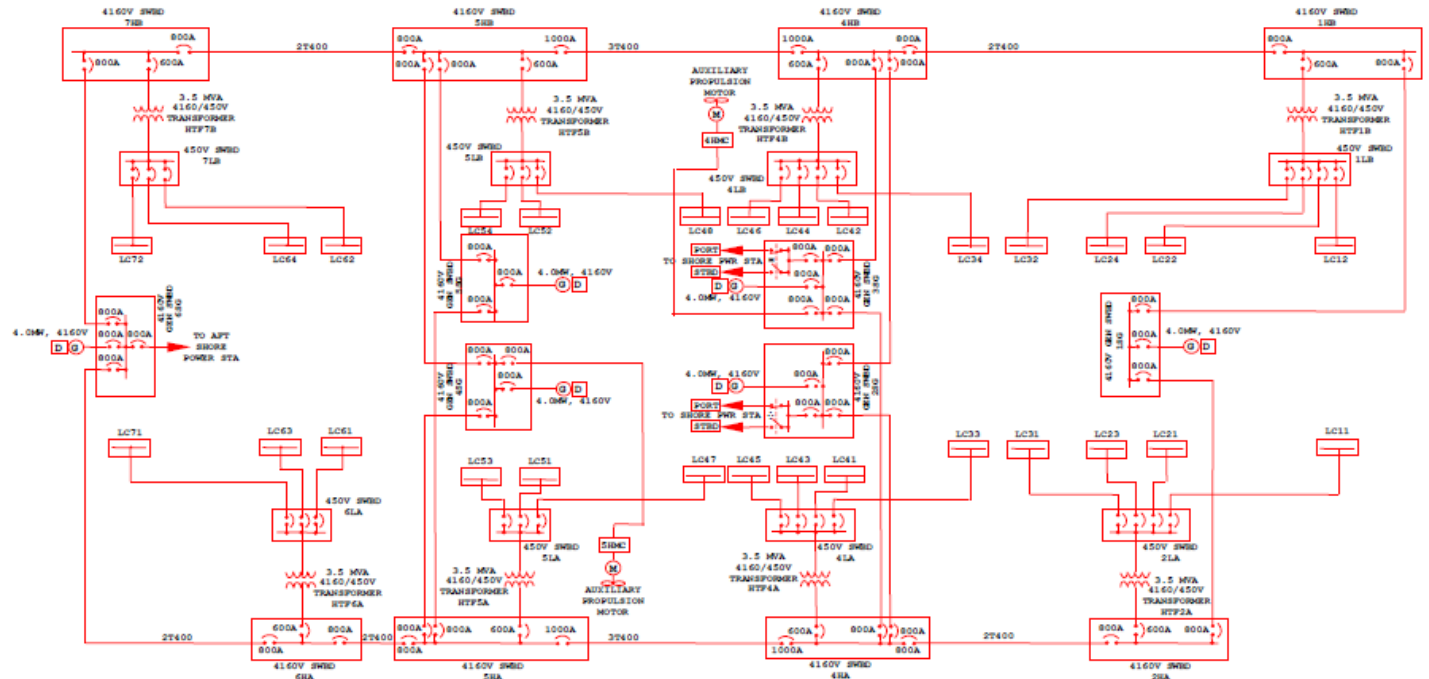


USS Makin Island

LHD 8



US Navy photo by Brett A. Anderson



Thomas Dalton, Abe Boughner, C. David Mako, and CDR Norbert Doerry, "LHD 8: A step Toward the All Electric Warship", presented at ASNE Day 2002.

- NOTES: 1) ALL LOAD CENTERS ARE 2000A
 2) " * ", " * * ", " * * * ", " * * * * " = INTERLOCKED
 3) ALL 4160V CABLE TO BE TYPE LS5KV